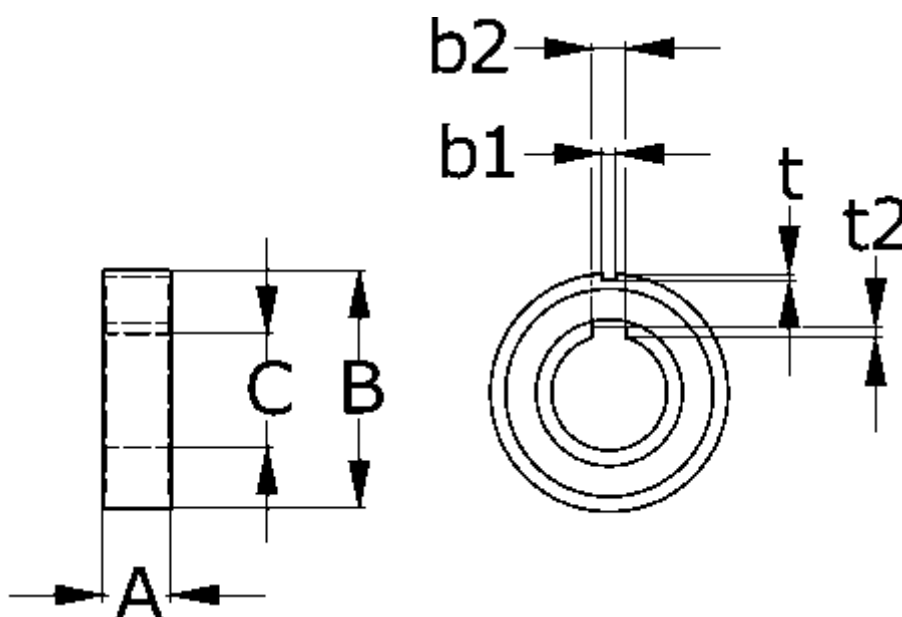


Article number: 5798013003

Description: Tsubaki Cam clutch bearing BB30-2K-K (6206)
d=30 D=62 T=16, with keyway on inner & outer race steel sealed

Measures



A	= 16
B	= 62
b1	= 6
b2	= 8
C	= 30
t1	= 2
t2	= 2
Torque (Nm)	= 140